

GL-TSL30 Series User's Manual

Thank you for choosing the GL-TSL30 Series LED products. Please install and use the products according to the following directions to ensure normal function and operation. Please use stainless screw to fix holder and make sure screwed tightly. Please do not add/remove any electrical components to/from the products or change/tamper the original electrical design without our permission. Please do not add/remove any mechanical components to/from the products or change/tamper the original mechanical design without our permission. If you do not follow these instructions to properly install and use the GL-TSL30 Series, you will not be eligible for warranty compensation or protection.

We do not take any responsibility for product damage resulting from improper installation or abnormal usage.

* For 3 in 1 dimmable function

- "DIM+ / DIM-" Connecting a variable resistor (10K~100K resistor) / 1~10Vdc Direct Voltage or a 10V / PWM signal can adjust the dimmable lighting.
- Connecting "DIM+ / DIM-" to "AC L / AC N" may damage the Lighting.
- When the control cable "DIM+ / DIM-" is open, LED Light output is 100%.
- The 3 in 1 Dimmer is not capable of turning off the LED light completely. To turn off the light, we would recommend you to use the dimmer with a switch.

For detailed 3 in 1 dimmable function description, please visit the web site:
<http://www.glaciallight.com/products/PDF/3in1Dimming-Function.pdf>

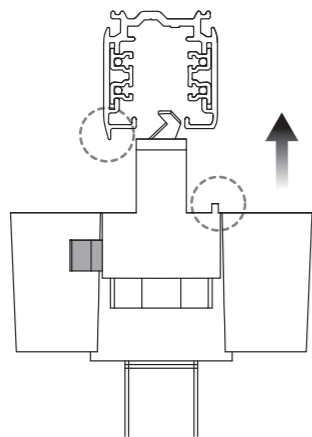


Type A : Installation

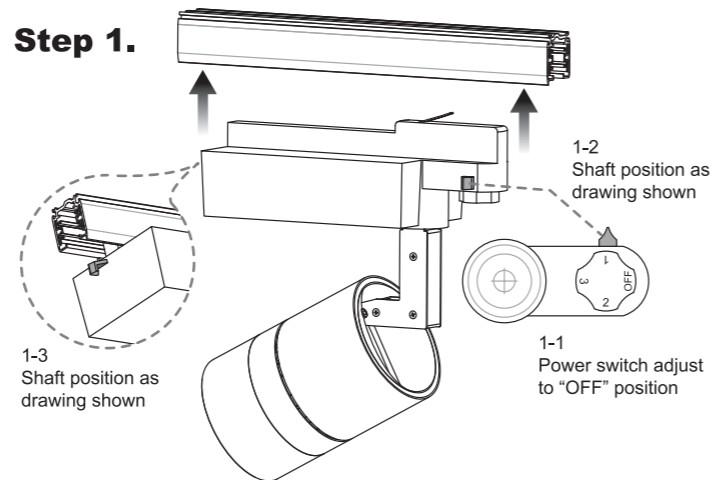
Make sure to turn off the power before installing.

CAUTIONS

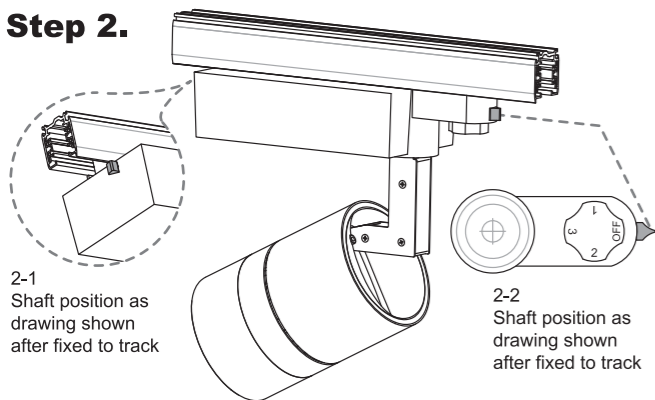
1. If the external flexible cable or cord of this luminaire is damaged, it shall be exclusively replaced by the manufacturer or his service agent or a similar qualified person in order to avoid a hazard.
2. Prior to installation, remove the AC power.



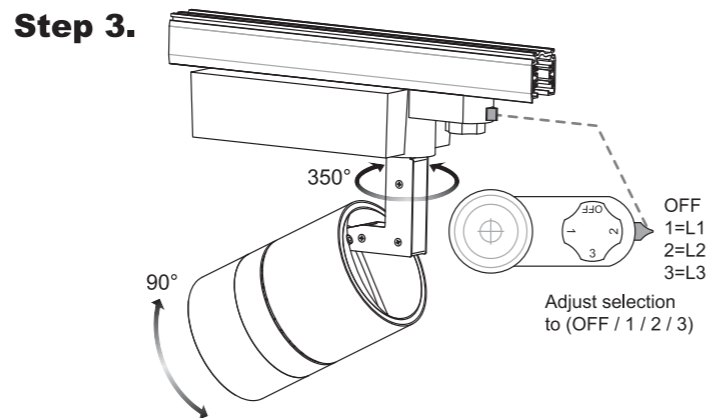
Step 1.



Step 2.

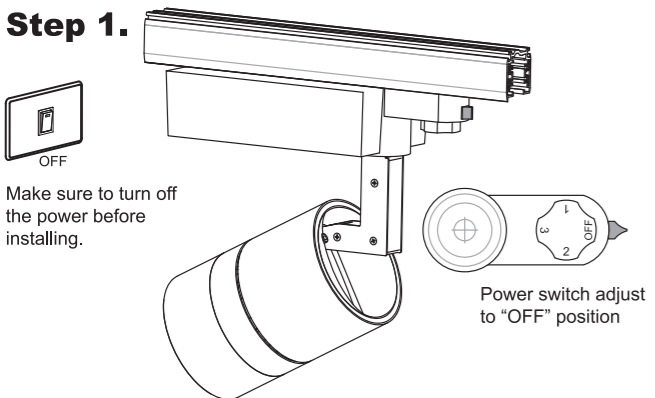


Step 3.

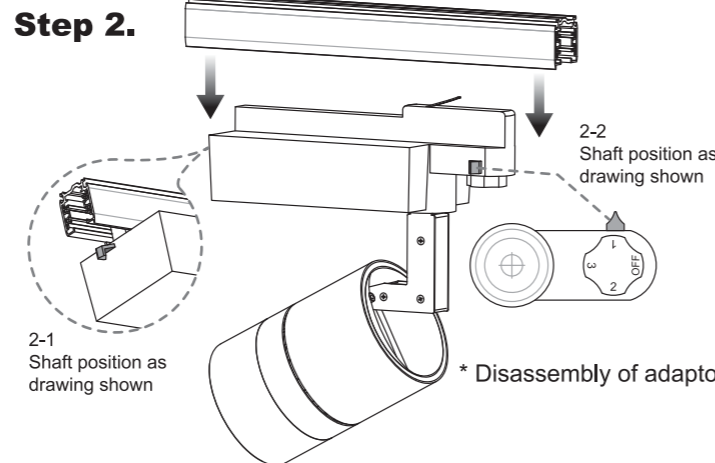


Type A : Remove

Step 1.



Step 2.



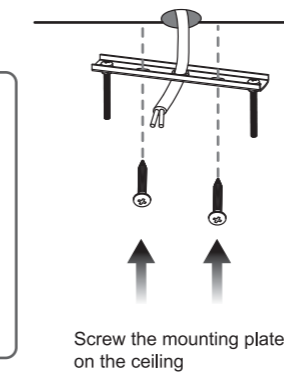
Type B / Type C Connect

Make sure to turn off the power before installing.

CAUTIONS

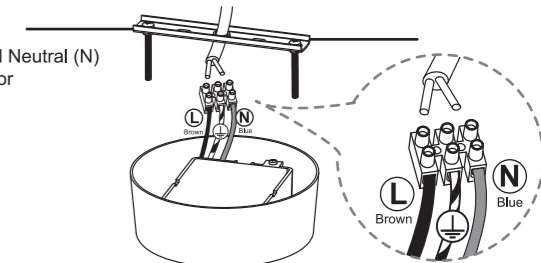
1. If the external flexible cable or cord of this luminaire is damaged, it shall be exclusively replaced by the manufacturer or his service agent or a similar qualified person in order to avoid a hazard.
2. Prior to installation, remove the AC power.

Step 1.



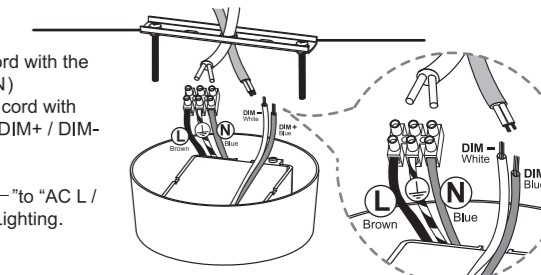
Step 2.

* For non-dimmable
 Properly insert Line (L) and Neutral (N) into the AC power connector



* For 3 in 1 dimmable

- (1) Dimmable the power cord with the internal LED driver (L/N)
- (2) Connect the Dimmable cord with the internal LED driver DIM+ / DIM-

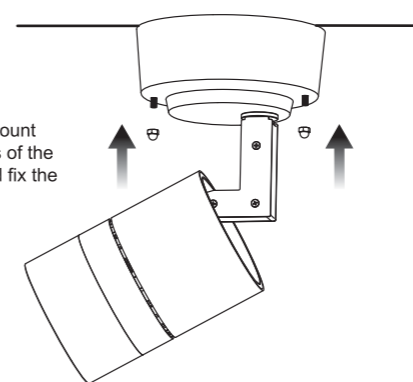


* Connecting "DIM+ / DIM-" to "AC L / AC N" may damage the Lighting.

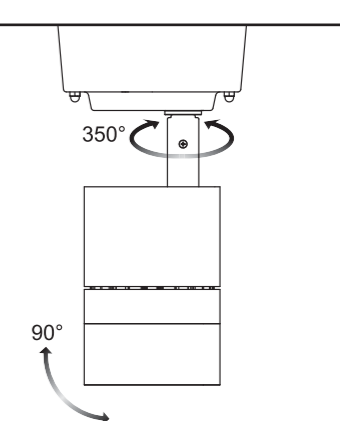
Type B : Installation

Step 3.

Make the ceiling mount through the screws of the mounting plate and fix the screw nuts



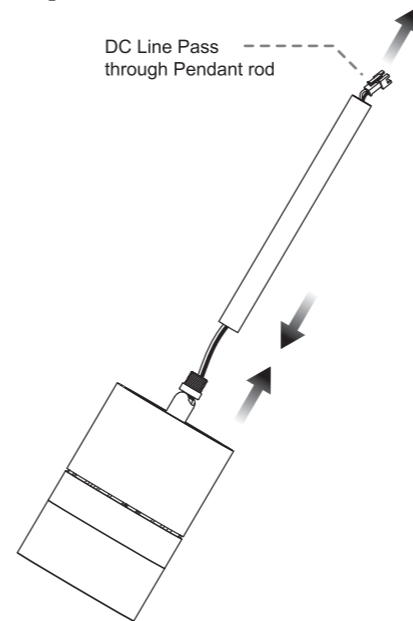
Step 4.



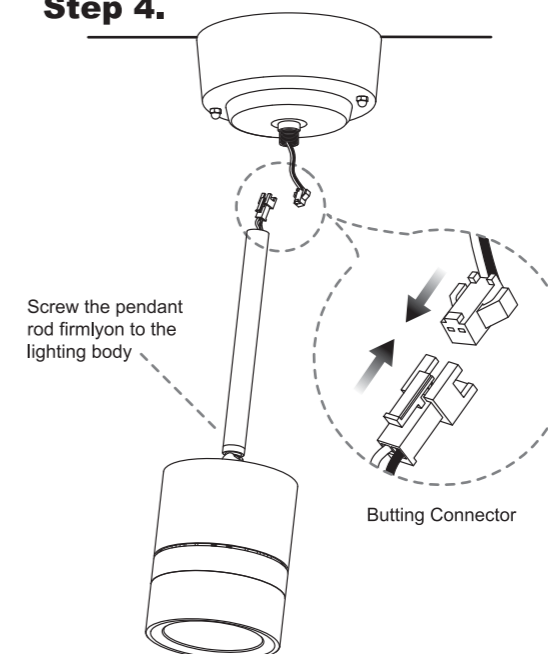
Type C : Installation

Step 3.

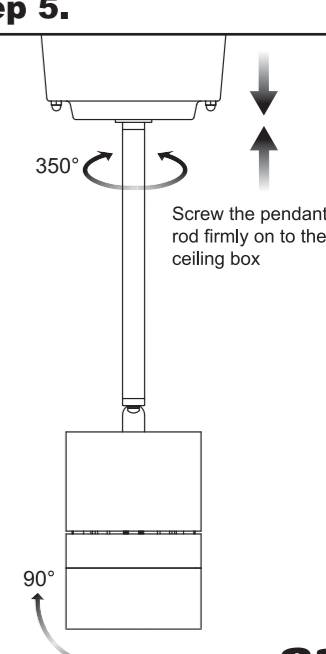
DC Line Pass through Pendant rod



Step 4.



Step 5.



©2015 GlacialTech Inc. All rights reserved. All brand names and trademarks are the properties of their respective owners. The specifications are subject to change without notice. For further information please visit official website : www.GlacialLight.com



GL-TSL30 系列 使用手冊

感謝您選擇使用 GL-TSL30 系列LED燈具。請您依據下列說明指示來安裝本產品，以確保本產品的正常運作。請使用不鏽鋼螺絲固定支架，並確實鎖緊。請勿增加或刪除任何電子元件，未經許可勿更改或修改電氣設計。請勿增加或刪除任何機構元件，未經許可勿更改或修改機構設計。如您未按說明指示妥善安裝以及正常使用GL-TSL30，您的產品將無法得到正常的保修補償。不正常的安裝與使用所造成的產品損壞，本公司具免責權利。



* 3合1調光功能說明

- 在DIM+ 和DIM- 之間連接一個可變電阻(10K~100K resistor)或連接1~10Vdc 直流電壓或10V / PWM信號，可調整亮度。
- 勿將DIM+ / DIM- 與AC L / AC N相連接，這樣會造成LED驅動器損壞。
- 當控制線DIM+ / DIM- 開路(open)時，亮度輸出為100%。
- 3合1調光驅動器不能將LED照明完全關閉(0%)，要達到LED照明完全關閉(0%)建議使用含有開關(SW)的調光器。

相關詳細3合1調光功能說明，請至：

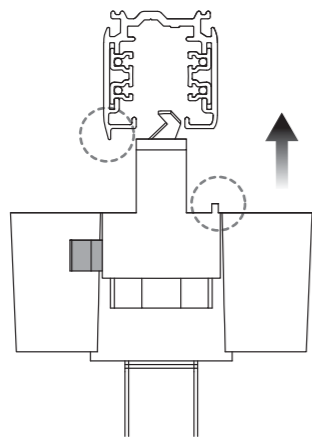
<http://www.glaciallight.com/products/PDF/3in1Dimming-Function.pdf>

Type A : 安裝指南

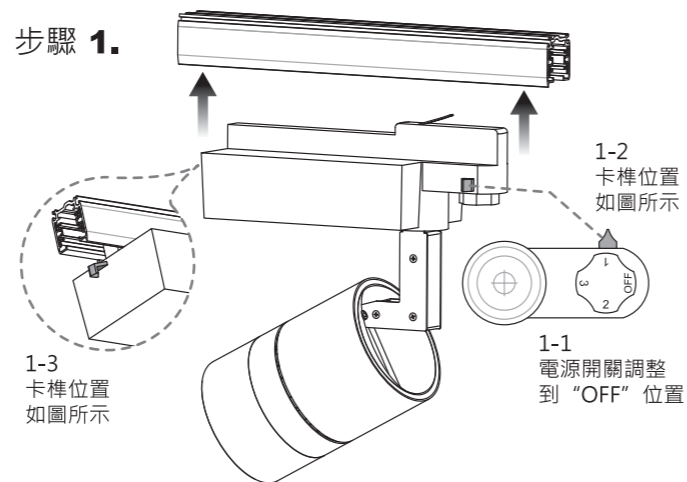
安裝前，請確實關閉電源。

警告

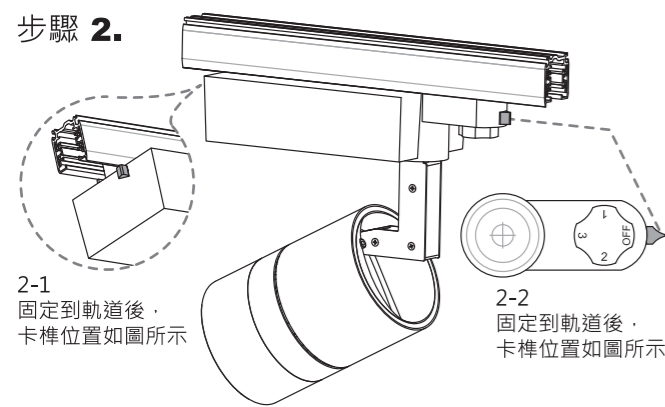
1. 如果燈具外部纜線有損壞，應當由製造商、代理商或符合資格的施工人員做更換，以避免危險。
2. 安裝前，請確實關閉交流電源。



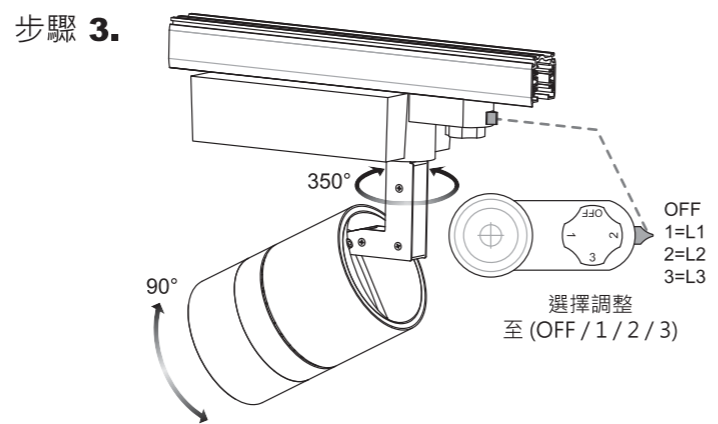
步驟 1.



步驟 2.

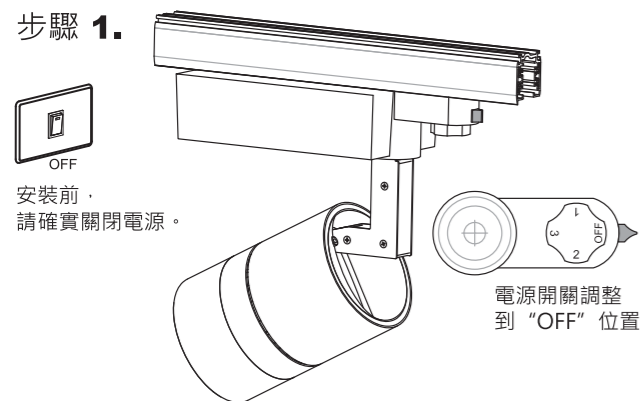


步驟 3.

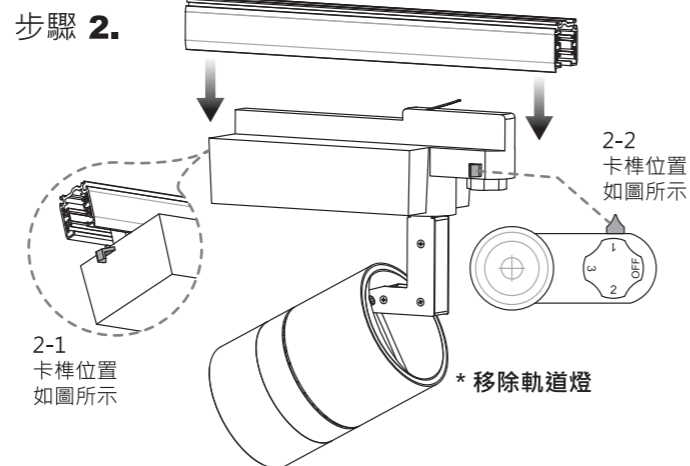


Type A : 移除說明

步驟 1.



步驟 2.



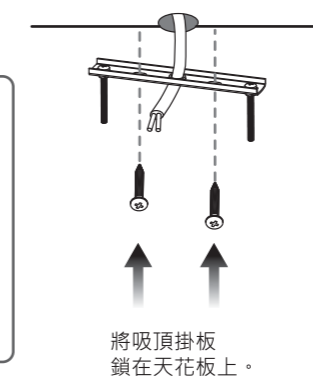
Type B / Type C 吸頂掛安裝指南

安裝前，請確實關閉電源。

警告

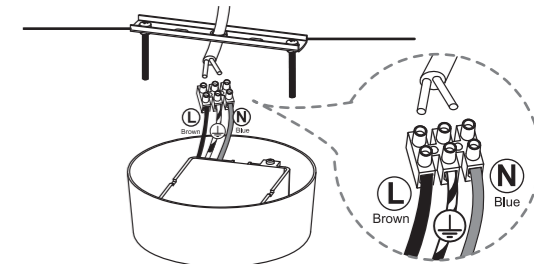
1. 如果燈具外部纜線有損壞，應當由製造商、代理商或符合資格的施工人員做更換，以避免危險。
2. 安裝前，請確實關閉交流電源。

步驟 1.



步驟 2.

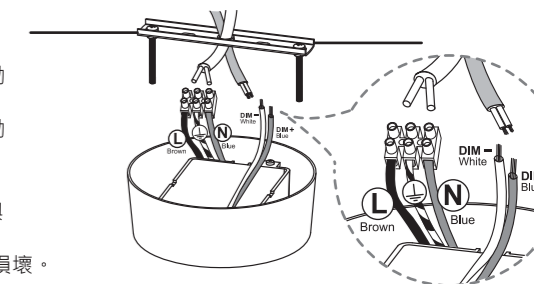
* 無調光功能
連接電源線到電源驅動器(L/N)



* 3合1調光功能

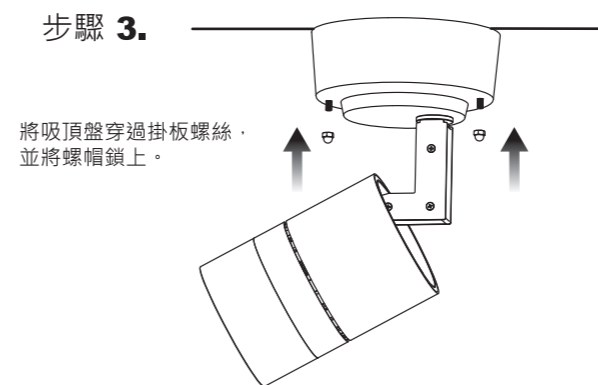
- (1) 連接調光線到電源驅動器DIM+ / DIM-
- (2) 連接電源線到電源驅動器(L/N)

· 勿將DIM+ / DIM- 與AC L / AC N相連接，這樣會造成LED驅動器損壞。

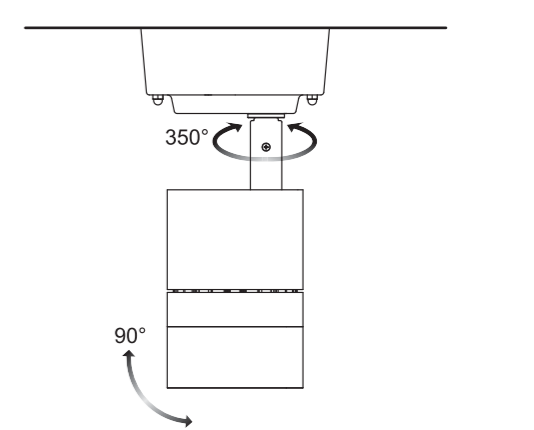


Type B : 安裝指南

步驟 3.

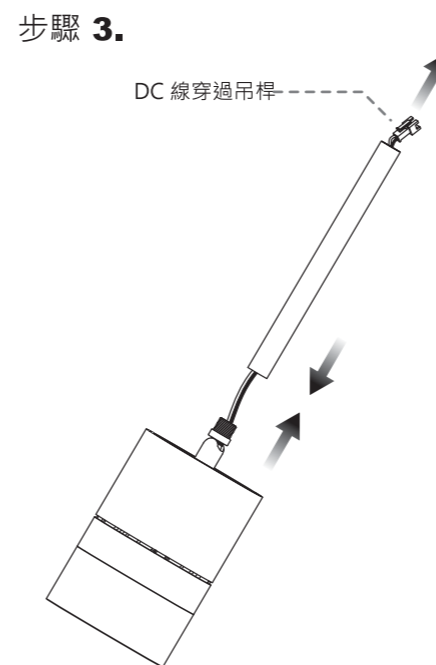


步驟 4.

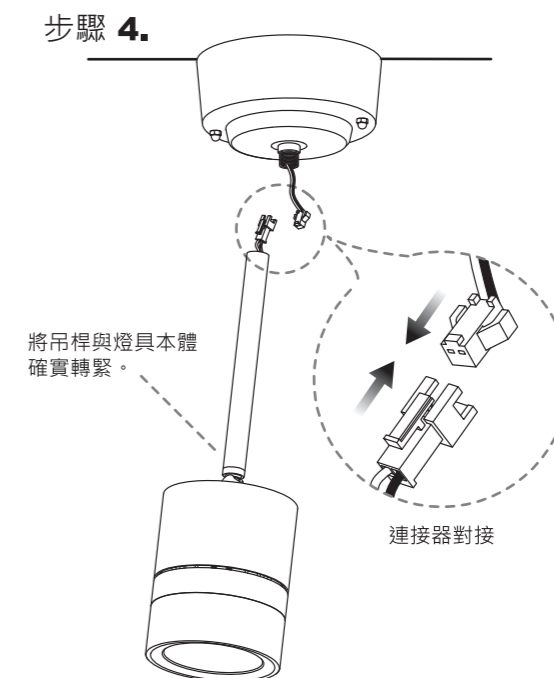


Type C : 安裝指南

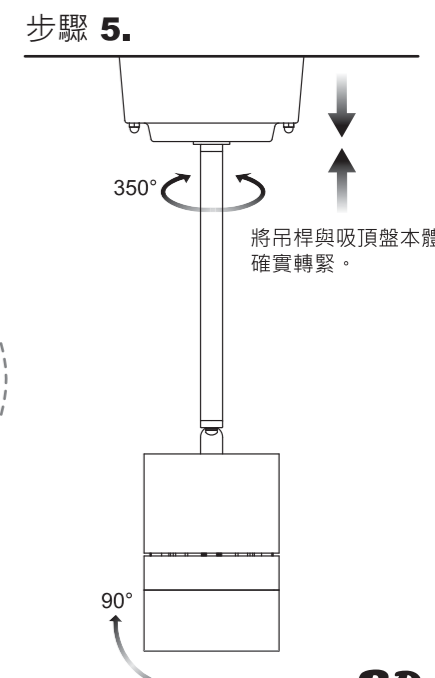
步驟 3.



步驟 4.



步驟 5.



©2015 GlacialTech Inc. 版權所有 翻印必究
本說明書內容如有變更恕不另行通知。
欲瞭解更多資訊，請參閱官方網站：www.GlacialLight.com



BR

17-TS30S000003